



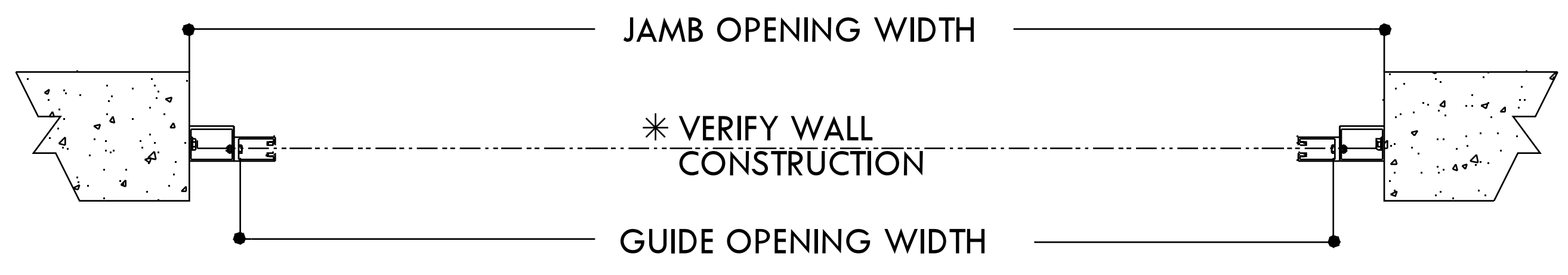
BEST ROLLING DOORS, INC.

9780 N.W. 79th Street
Hialeah Gardens, FL 33016
Phone: (305) 698-3550, Fax: (305) 698-3552

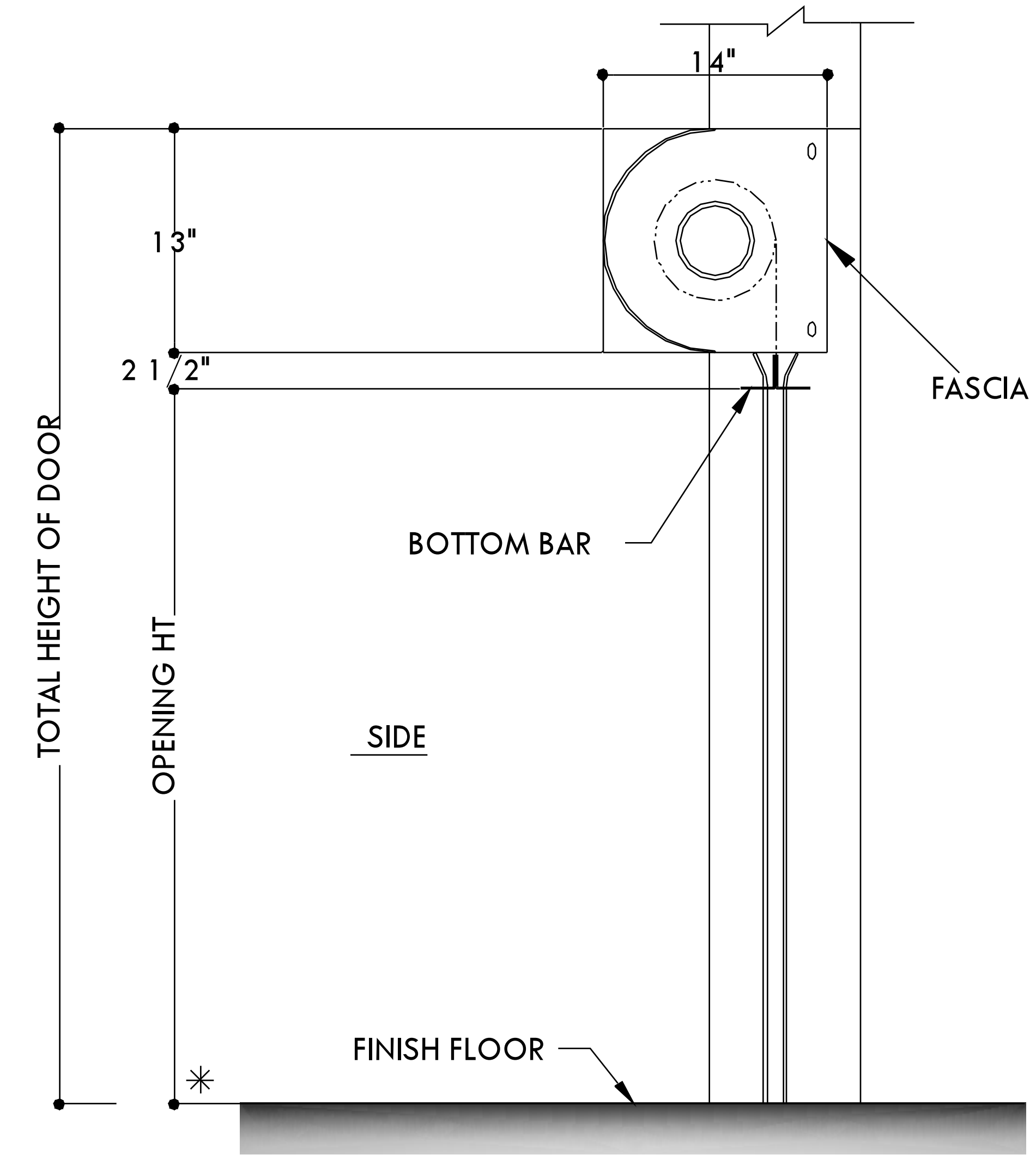
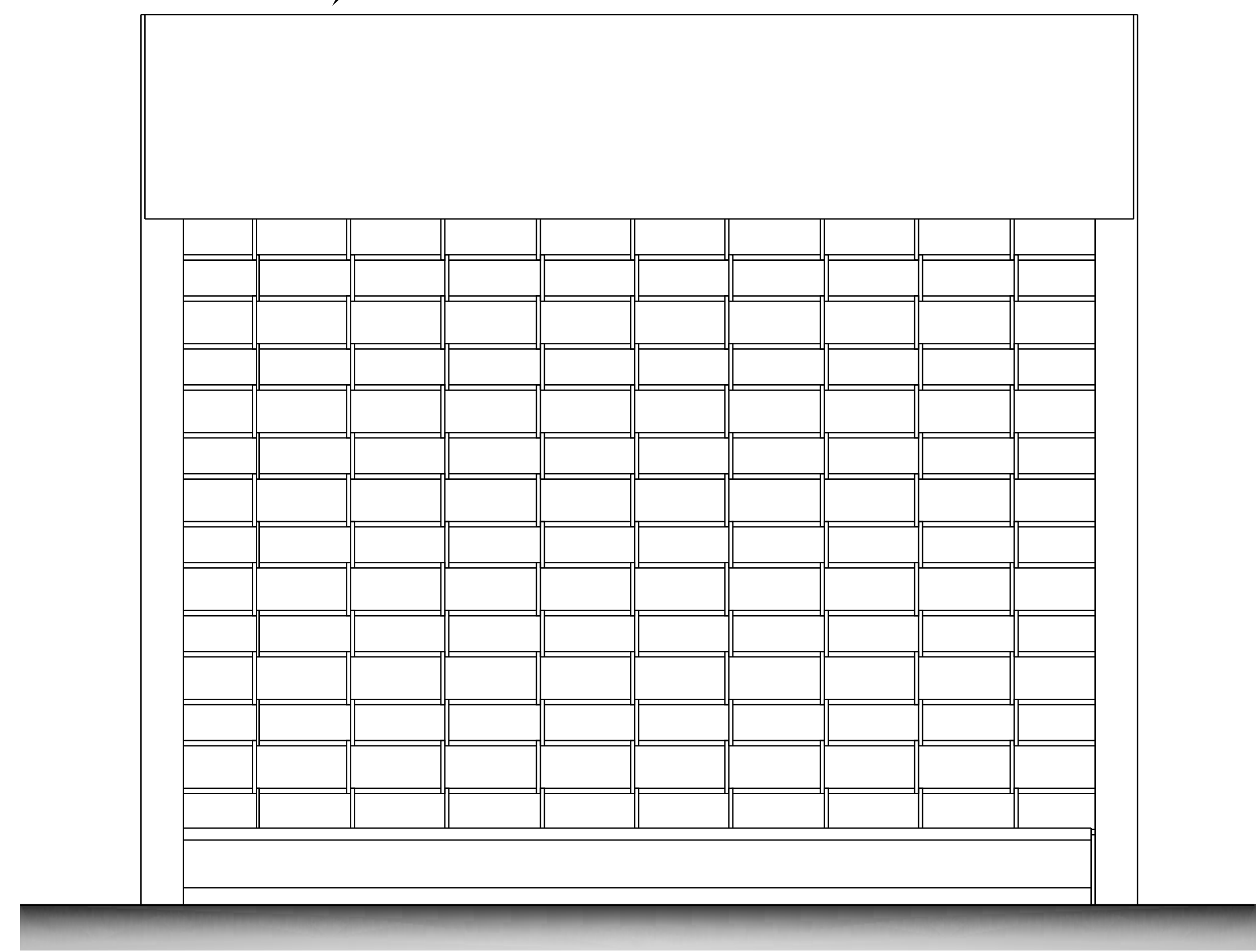
JOB: JOB_NAME
 CONTRACTOR: CONTRACTOR
 ARCHITECT: ARCHITECT
 DISTRIBUTOR: DISTRIBUTOR
 DRAWING NO. DRAWING# # OF

VERIFIED BY: _____ ON _____

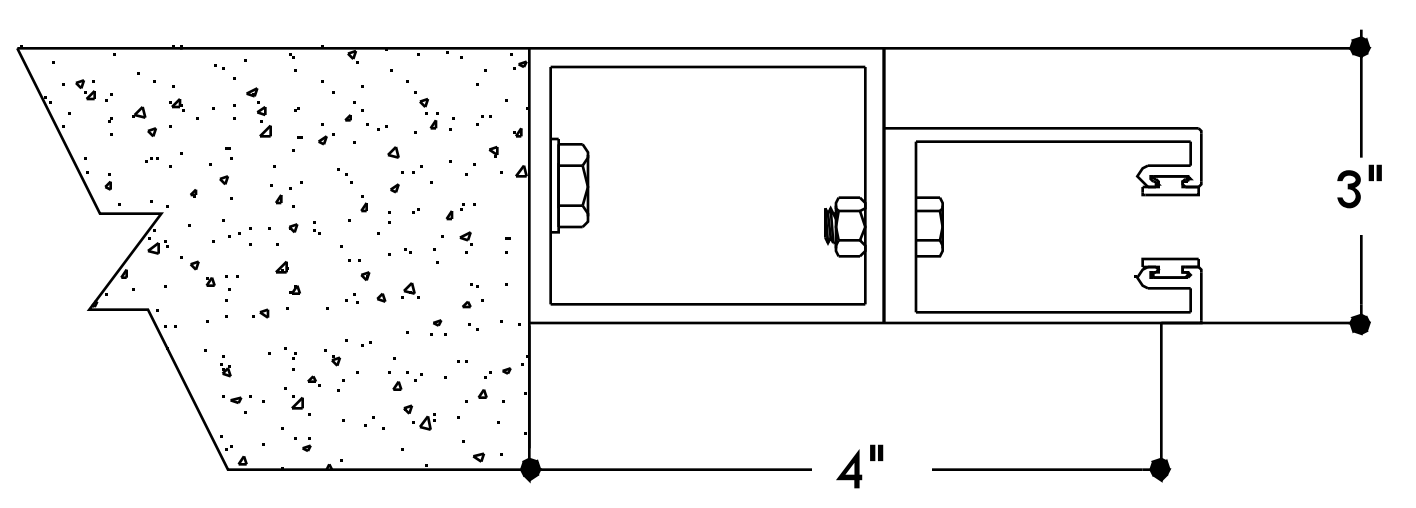
MAKE	HAND	ARCH. MARK	BEST DOOR
MAKE1			
MAKE2			
MAKE3			
MAKE4			
OPMK1			
OPMK2			
OPMK3			
OPMK4			
3			
2			
1			
NO.			



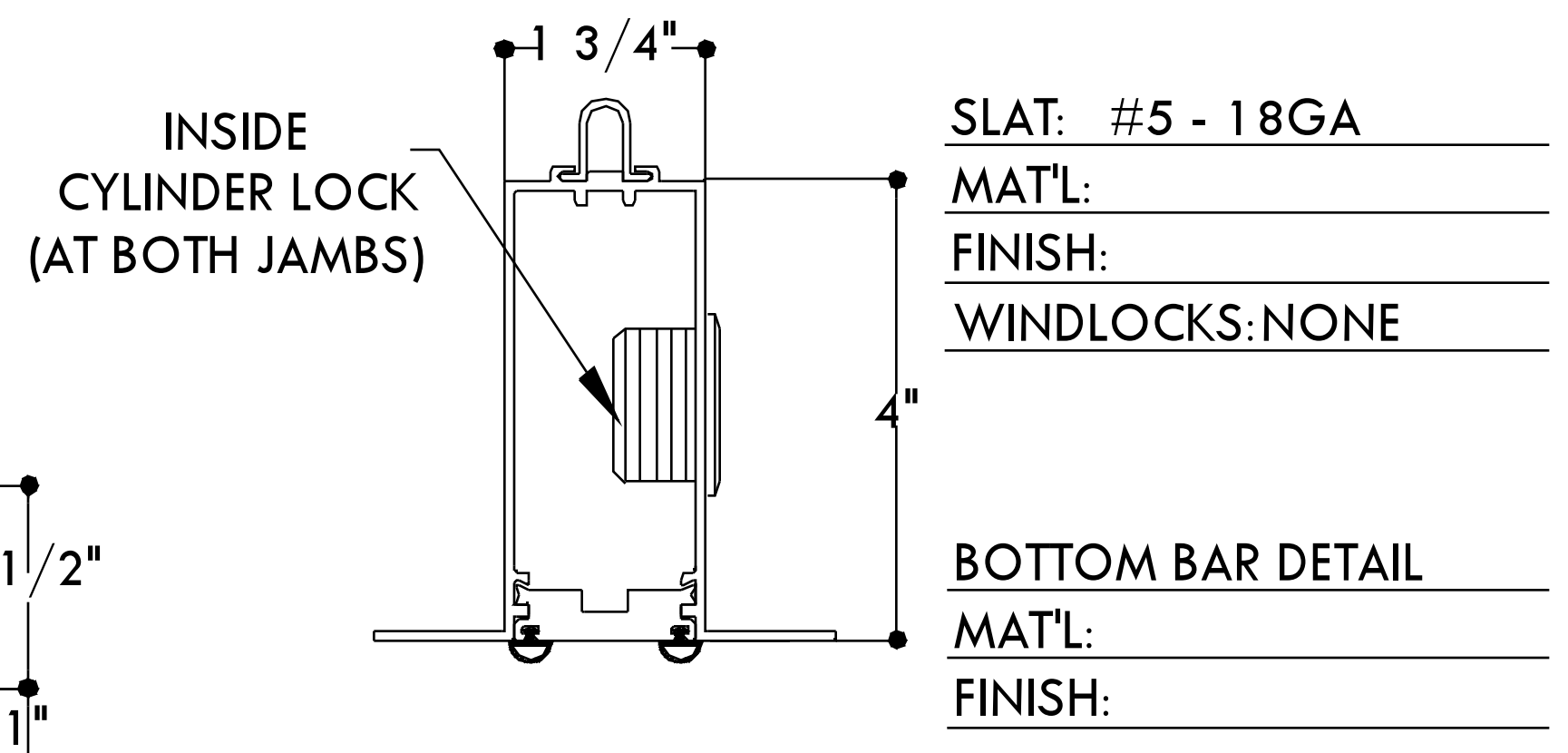
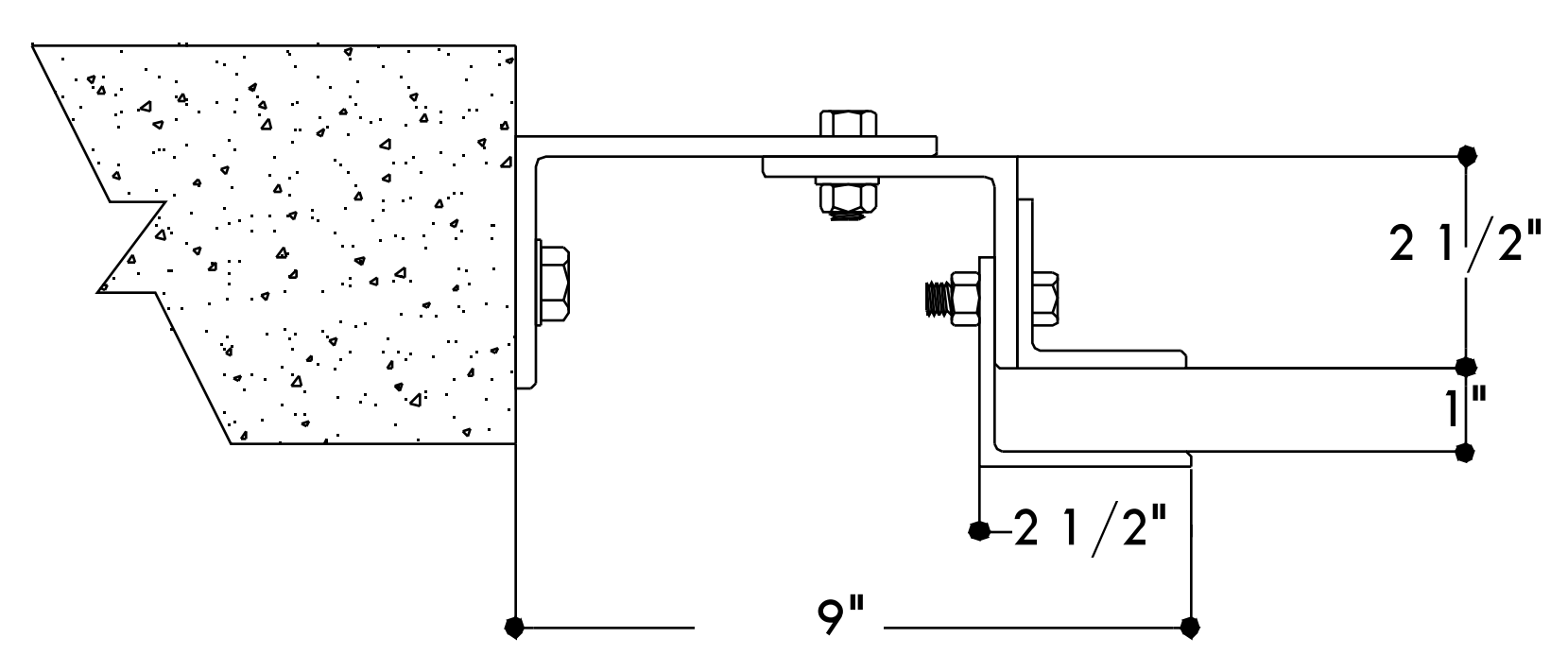
HOOD
 MAT'L: _____
 FINISH: _____



OPTION 1
 GUIDE DETAIL
 MAT'L: _____
 FINISH: _____



OPTION 2
 GUIDE DETAIL
 MAT'L: _____
 FINISH: _____



NOTES:

1. THIS DRAWING COVERS GENERAL CONDITIONS, DIMS, AND SPECIFICATIONS ONLY. DO NOT USE FOR INSTALLATION PURPOSES, INSTALLATION INSTRUCTIONS AND DIMENSIONS ARE INCLUDED WITH SHIPMENT.
2. CONSULT FACTORY FOR WIND LOAD CALCULATION

DIMENSIONS AND CLEARANCES AS NOTED BY ASTERISK (*) MUST BE FIELD CHECKED.

DRAWINGS ARE NOT DRAWN TO SCALE

GRILLE

PUSH-UP

BETWEEN JAMB