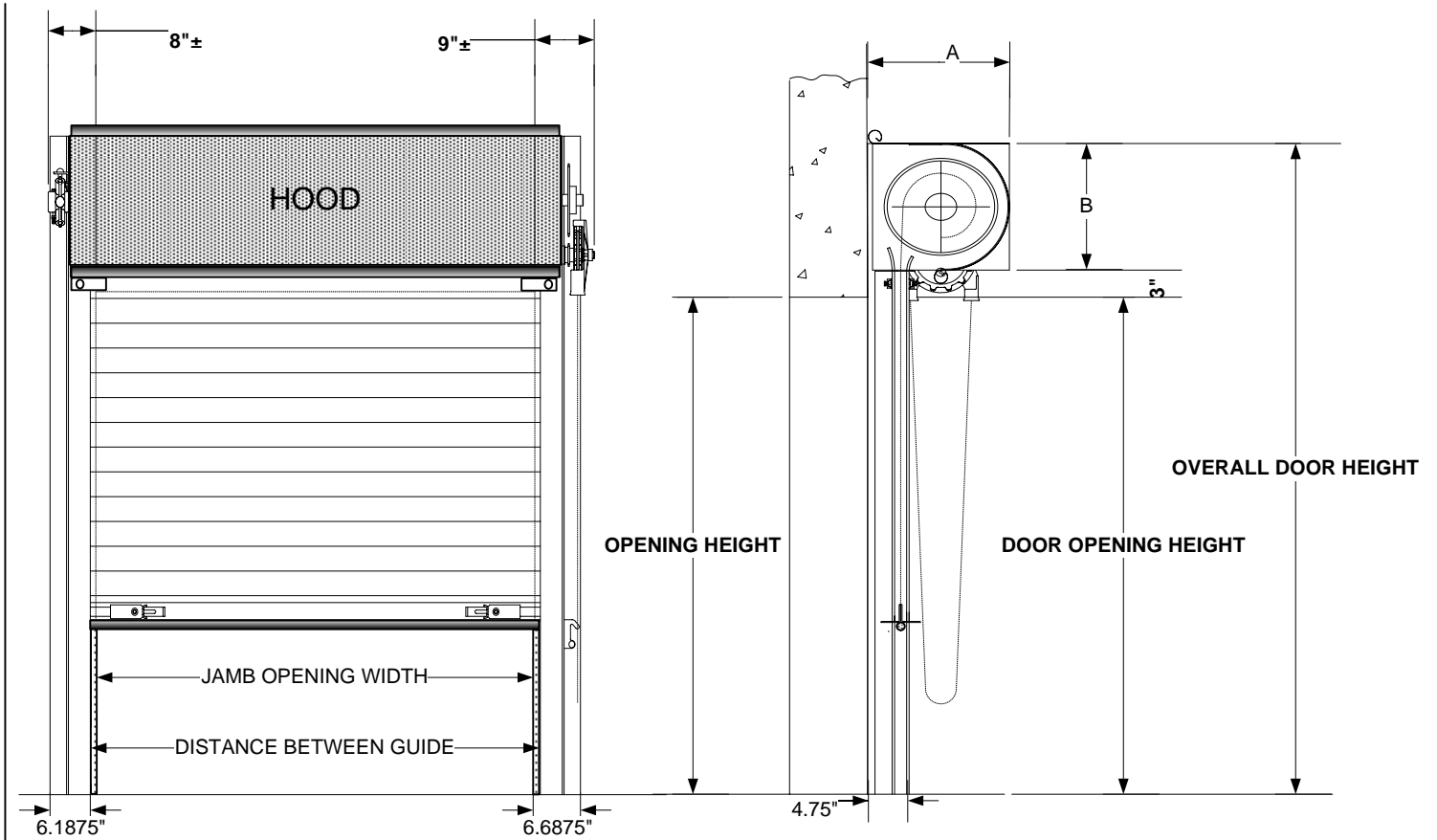


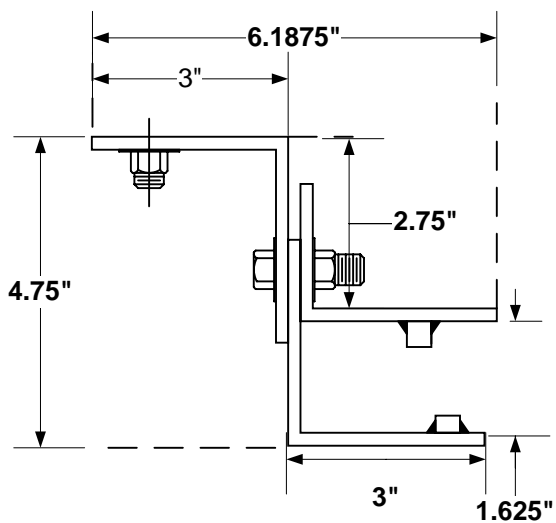
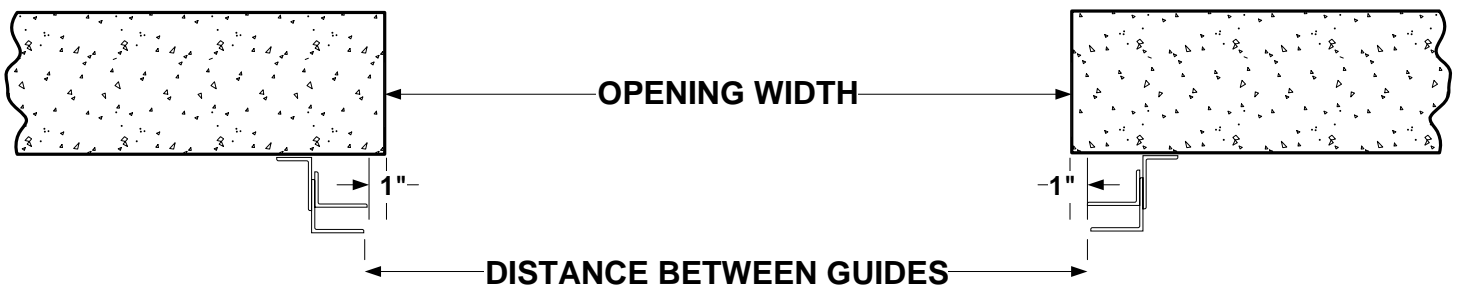


Best Rolling Manufacturer

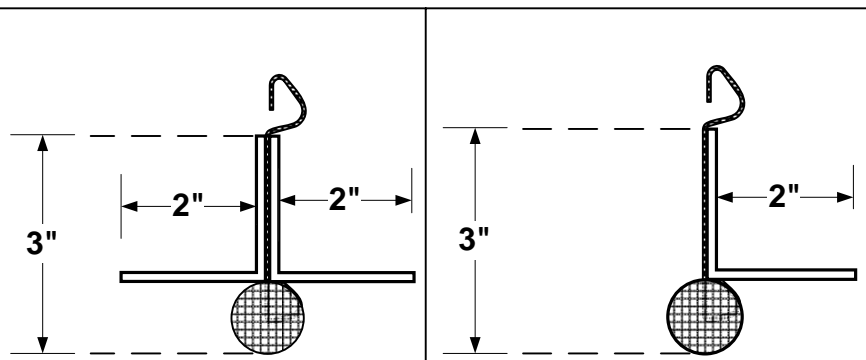
ELEVATION (COIL SIDE) AND SECTION VIEW (Z GUIDE TO CONCRETE)



PLAN OF OPENING



Bottom Bar Detail



ASTRAGAL OPTIONAL