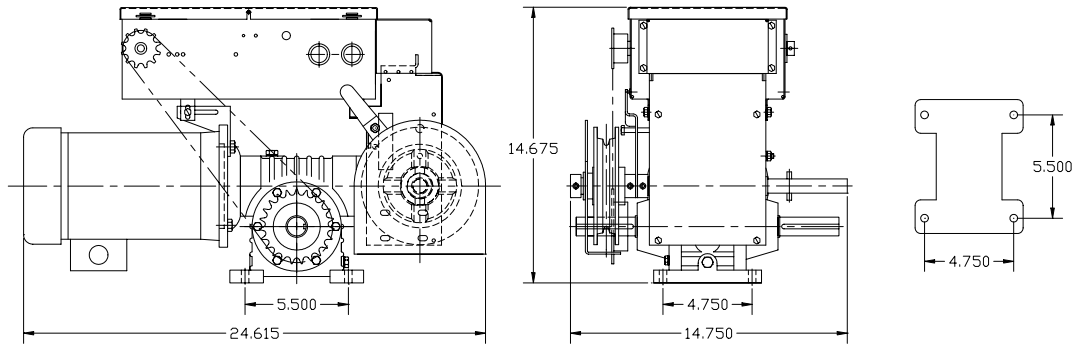


# SHOP DRAWING

Page: \_\_\_\_\_ of \_\_\_\_\_ Drawing No. \_\_\_\_\_ Date: \_\_\_\_\_  
 Project: \_\_\_\_\_  
 Architect / Engineer: \_\_\_\_\_  
 Contractor: \_\_\_\_\_  
 Customer: \_\_\_\_\_



Supply \_\_\_\_\_ ( ) Micanan Operator (s) Model PRO-GH , \_\_\_\_\_ HP,

\_\_\_\_\_ Volts, \_\_\_\_\_ Phase, \_\_\_\_\_ Hertz for \_\_\_\_\_ Door(s)

Operator rating: NEMA \_\_\_\_\_

measuring \_\_\_\_\_ wide X \_\_\_\_\_ high. Door shaft \_\_\_\_\_ KW \_\_\_\_\_

Supply \_\_\_\_\_ ( ) Open/Close/Stop Control Station(s) , NEMA \_\_\_\_\_

Supply additional equipment as specified below:

<b>Door(s)</b>	
<b>Handing</b>	<b>LH RH</b>
<b>Wall Mount or Front of Coil</b>	

---



---



---



---



---

**FULL LOAD AMP RATING CHART**

Voltage	1/2HP	3/4HP	1HP	1.5HP	2HP
115 - 1 $\phi$	8.4	10.2	13.4	18.0	25.5
230 - 1 $\phi$	4.2	5.1	6.7	9.0	12.5
208/230-3 $\phi$	2.1	3.2	3.7	5.3	6.5
460 - 3 $\phi$	1.0	1.5	1.7	2.5	3.1
575 - 3 $\phi$	0.8	1.2	1.4	2.0	2.5



1380 St.Regis, Dorval, Quebec H9P 2T5  
 Chicago, IL - Atlanta, GA - Phoenix, AZ  
 Tel: 1-877-888-1116 Fax: 1-877-888-1118  
 Web site: [www.micanan.com](http://www.micanan.com)