

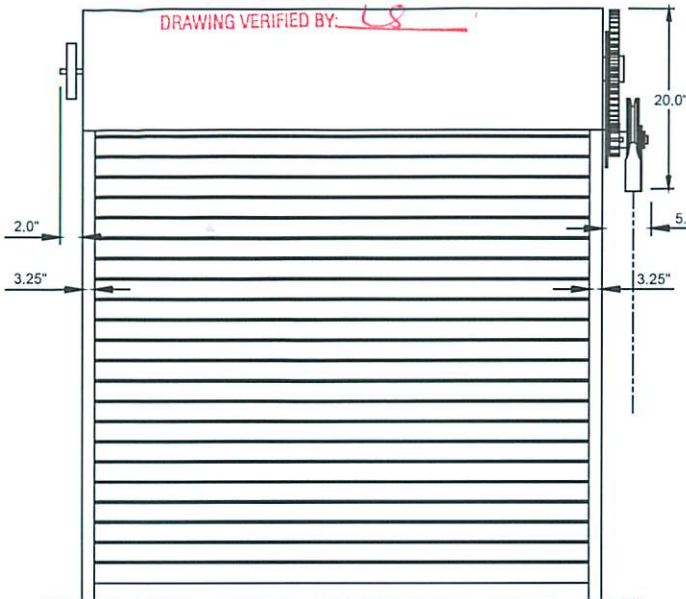
FENESTRATION TESTING LAB, INC.

LAB # 8393

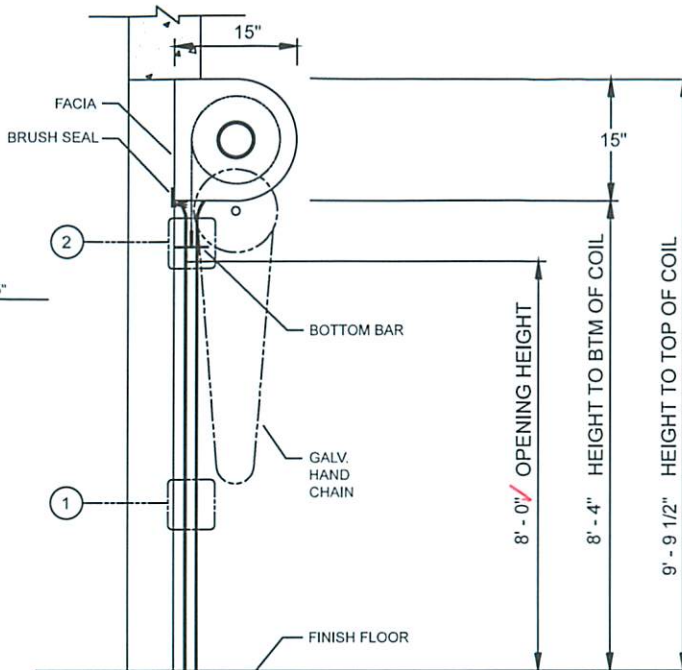
DATE: 6-19-15

DRAWING VERIFIED BY: CS

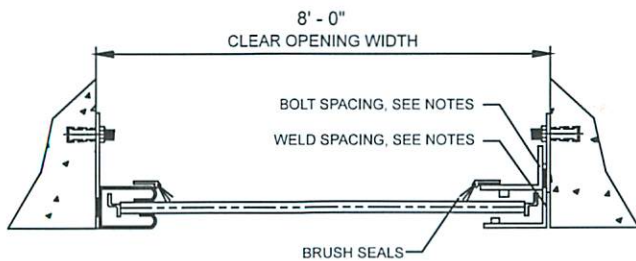
ONLY ITEMS CHECKED IN RED HAVE BEEN VERIFIED BY LABORATORY



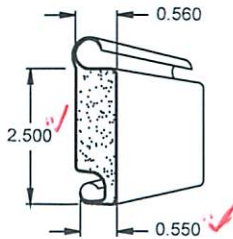
ELEVATION



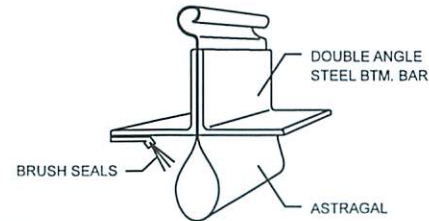
SECTION



PLAN - COIL SIDE



1 DETAIL - SLAT



2 DETAIL - BOTTOM BAR

- EPS-EXPANDED POLYSTYRENE INSULATION
- FOAM INJECTED INSULATION
- R-VALUE 8.0



BEST ROLLING MANUFACTURER

9780 NW 79 Avenue, Hialeah Gardens, FL 33016

P: (305) 698-3550

www.bestdoor.us

ROLLING SECURITY DOOR
MODEL - I-30

COMPONENT & FINISH

CURTAIN: NOT SPECIFIED

GUIDES: NOT SPECIFIED

B/BAR: NOT SPECIFIED

HOOD: NOT SPECIFIED

EQUIPMENT & ACCESSORY

NO.		QTY
1	INSULATED FLAT SLAT	-
2	DOUBLE ANGLE BOTTOM BAR	1
3	NO ADDITIONAL LOCKING	-
4	ROLL-FORMED F-GUIDE STEEL ANGLE F-GUIDE	-
5	BRUSH SEALS: GUIDES & HOOD	2
6		-
7		

MOUNT: () INSIDE () OUTSIDE

SIGN OFF

DATE



MANUFACTURER: BEST ROLLING MANUFACTURER, INC.

SUPPLIED TO:

PROJECT: FENESTRATION TESTING LAB

DATE: 06/16/2015

REQUESTED BY: A.S.

REV:

DWG NO: 061615-001

NOTES

1. BOLT/WELD SPACING FOR GUIDES AS PER NOA ON ALL CODE DOORS OR PROVIDED PRE-PUNCHED TO DETERMINE SPACING.

2. 1-1/2" TOLERANCE ACCOUNTED FOR HOOD CURL.

SPECIAL NOTE

INSTALLER NOTES (WHEN APPLICABLE)

ITEM	QTY	OPENING SIZE		OPERATION	HAND
		WIDTH	HEIGHT		
1	1	8'-0"	8'-0"	CHAIN	RH